

MSD Platinum (Touring/ Stage)



MSD Platinum 16 R 1CT

The MSD Platinum lamps open up new levels of creative freedom in entertainment lighting, with powerful, compact and brilliantly intense light. Their compact, lightweight design provides the freedom to create smaller, lighter luminaires – for use at any location on stage. And their short arc, high color temperature and innovative reflector produce a sparkling, high beam intensity for outstanding color reproduction. They also offer long and reliable lifetime, high efficacy and fast replacement times. It all adds up to an intensely exciting creative experience.

Product data

• General Characteristics

System Description	Reflector E21.9 TCM
Cap-Base	-
Cap-Base Information	-
Operating Position	any
Main Application	Stage/Touring
Life to 50% failures EM	1500 hr

• Light Technical Characteristics

Color Code	2
Color Temperature	8000 K
Chromaticity Coordinate X	299 -
Chromaticity Coordinate Y	303 -
Luminous Flux Lamp EM	13000 (min), 14550 (nom) Lm

• Electrical Characteristics

Lamp Wattage	330 W
Lamp Wattage Technical	330 W
Dimmable	Yes

• Luminaire Design Requirements

Pinch Temperature	350 (max) C
-------------------	-------------

Bulb Temperature	900 (max) C
Working Distance WD	31.42 mm

• Product Dimensions

Overall Length C	66.4 (max) mm
Diameter D	58.5 (max) mm
Arc Length O	1.3 mm

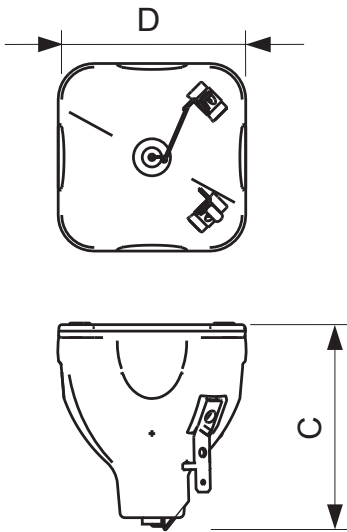
• Product Data

Order code	928195205314
Full product code	928195205314
Full product name	MSD Platinum 16 R 1CT
Order product name	MSD Platinum 16 R 1CT/8
Pieces per pack	1
Packing configuration	8
Packs per outerbox	8
Bar code on pack - EAN1	8718291704386
Bar code on outerbox - EAN3	8718291704393
Logistic code(s) - 12NC	928195205314
Net weight per piece	0.080 kg

PHILIPS

MSD Platinum (Touring/Stage)

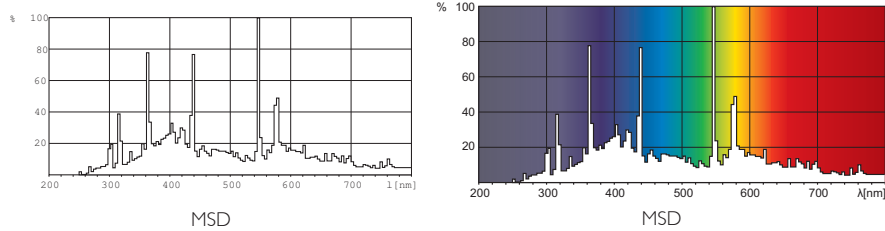
Dimensional drawing



MSD Platinum 16 R 1CT

Product	C (Max)	D (Max)	F (Min)	F (Norm)	F (Max)	L (Min)	L (Norm)	L (Max)	O (Norm)	T (Max)	W (Norm)
MSD Platinum 16 R	66.4	58.5	-	-	-	-	-	-	1.3	-	31.42

Photometric data



© 2014 Koninklijke Philips N.V. (Royal Philips)
All rights reserved.

Specifications are subject to change without notice. Trademarks are the property of Koninklijke Philips N.V. (Royal Philips) or their respective owners.

www.philips.com/lighting

2014, April 15
data subject to change