

# MSD Platinum

## MSD Platinum 15 R 1CT



The MSD Platinum lamps open up new levels of creative freedom in entertainment lighting, with powerful, compact and brilliantly intense light. Their compact, lightweight design provides the freedom to create smaller, lighter luminaires – for use at any location on stage. And their short arc, high color temperature and innovative reflector produce a sparkling, high beam intensity for outstanding color reproduction. They also offer long and reliable lifetime, high efficacy and fast replacement times. It all adds up to an intensely exciting creative experience.

### Product data

#### • General Characteristics

System Description	-
Cap-Base	-
Cap-Base Information	-
Operating Position	any
Main Application	DJ/Club
Life to 50% failures	1500 hr
EM	

#### • Light Technical Characteristics

Color Code	2
Color Temperature	8000 K
Chromaticity Coordinate X	299 -
Chromaticity Coordinate Y	303 -
Luminous Flux Lamp EM	11000 (min), 13500 (nom) Lm

#### • Electrical Characteristics

Lamp Wattage	300 W
Lamp Wattage Technical	300 W
Dimmable	No

#### • Luminaire Design Requirements

Pinch Temperature	350 (max) C
Bulb Temperature	900 (max) C

#### • Product Dimensions

Overall Length C	66.4 (max) mm
Diameter D	58.5 (max) mm
Arc Length O	1.3 mm

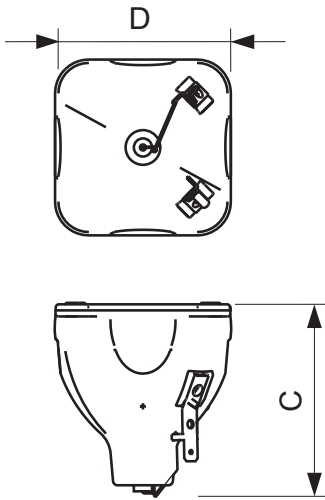
#### • Product Data

Order code	928191605314
Full product code	928191605314
Full product name	MSD Platinum 15 R 1CT
Order product name	MSD Platinum 15 R 1CT
Pieces per pack	1
Packing configuration	8
Packs per outerbox	8
Bar code on pack - EAN1	8718291135357
Bar code on outerbox - EAN3	8718291135364
Logistic code(s) - 12NC	928191605314
Net weight per piece	100.000 gr

### Dimensional drawing

**PHILIPS**

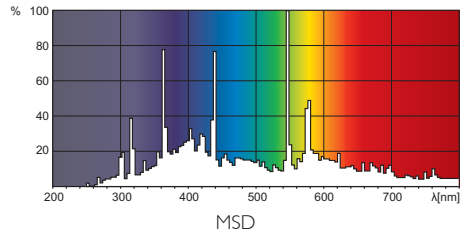
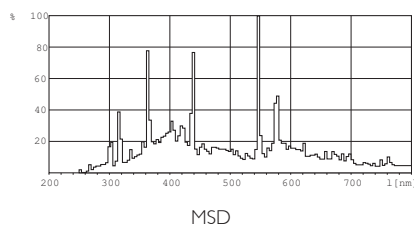
## Dimensional drawing



### MSD Platinum 15 R 1CT

Product	C (Max)	D (Max)	F (Min)	F (Norm)	F (Max)	L (Min)	L (Norm)	L (Max)	O (Norm)	O (Max)	T (Max)
MSD Platinum 15 R	66.4	58.5	-	-	-	-	-	-	1.3	-	-

## Photometric data



© 2013 Koninklijke Philips N.V. (Royal Philips)  
All rights reserved.

Specifications are subject to change without notice. Trademarks are the property of Koninklijke Philips N.V. (Royal Philips) or their respective owners.

[www.philips.com/lighting](http://www.philips.com/lighting)

2013, August 3  
data subject to change