



HF-Performer III for TL5 lamps

HF-P 2 14-35 TL5 HE III 220-240V

HF-Performer III TL5 ballasts offer maximum versatility and meet all of the necessary commercial grade specifications. They also offer the added benefits of lamp striation reduction technology, making these ballasts compatible with energy-saving TL5 ECO lamps. As such, these ballasts are part of an overall high-efficiency lighting system that may help you or your customers to achieve any international or local energy code you need to comply with. HF-Performer III TL5 ballasts are the ideal choice for a broad range of new construction and retrofit applications within the commercial sector, including general surface mounting or office lighting, parking garages, warehouses, waterproof and other applications.

Product data

• General Information

Application Code	III
Type Version	IDC
Lamp Type	TL5 HE
Number Of Lamps	2 piece/unit
Number Of Products	28
On MCB (16A Type B) (Nom)	
Automatic Restart	Yes

• Operating and Electrical

Input Voltage	220 to 240 V
Input Frequency	50/60 Hz
Operating Frequency (Nom)	46 kHz
Ignition Method	Programmed Start
Crestfactor (Max)	1.7
Power Factor 100%	0.94
Load (Nom)	
Ignition Time (Max)	1.2 s
Mains Voltage	-8%/+6%
Performance (AC)	
Mains Voltage Safety (AC)	-10%/+10%
Earth Leakage Current (Nom)	0.5 mA
Inrush Current	0.25 ms
Width	
Constant Wattage Deviation	-2%/+2%
Ballast Factor (Nom)	0.925

Power Losses (Nom)	2.8-5.6 W
Inrush Current Peak (Max)	24 A

• Wiring

Connector Type	WAGO 251 universal connector
Input Terminals	[Suitable for both automatic wiring (ALF and ADS) and manual wiring]
Cable Capacity	200 pF
Output Wires Mutual (Nom)	
Connector Type	WAGO 251 universal connector
Output Terminals	[Suitable for both automatic wiring (ALF and ADS) and manual wiring]
Cable Length Hot Wiring	0.75 m
Wire Striplength	8.0-9.0 mm
Dual Fixture Master/Slave	Not applicable [Master/Slave oper. not applicable]
Input Terminal Cross Section	0.50-1.00 mm ²
Output Terminal Cross Section	0.50-1.00 mm ²
Cable Capacity	200 pF
Output Wires To Earth (Nom)	

• System characteristics

Rated Ballast-Lamp Power	14-35 W
--------------------------	---------

PHILIPS

HF-Performer III for TL5 lamps

Rated Lamp Power On TL5 HE	14/35 W
System Power On TL5 HE	36.8/75.6 W
Lamp Power On TL5 HE	28.0/70.0 W
Power Loss On TL5 HE	2.8/5.6 W

Nominal Light Output After 5 Seconds	50% of EBLF
--------------------------------------	-------------

• Temperature

T-Ambient (Max)	60 °C
T-Ambient (Min)	-25 °C
T-Storage (Max)	80 °C
T-Storage (Min)	-40 °C
T-Case Lifetime (Nom)	80 °C
T-Case Maximum (Max)	80 °C
T-Ignition (Max)	60 °C
T-Ignition (Min)	-25 °C

• Mechanical and Housing

Housing	L360x30x22
---------	------------

• Emergency Operation

Nominal Light Output After 60 Seconds	100% of EBLF
Battery Voltage Lamp Ignition	176-276 V
Normal Operating Voltage (DC)	220-240 V
Battery Voltage Lamp Operation	176-276 V
Battery Voltage Guaranteed Operation	176-275 V
Battery Voltage Guaranteed Ignition	186-275 V
Emergency Ballast Lumen Factor (EBLF) (Nom)	0.7 %

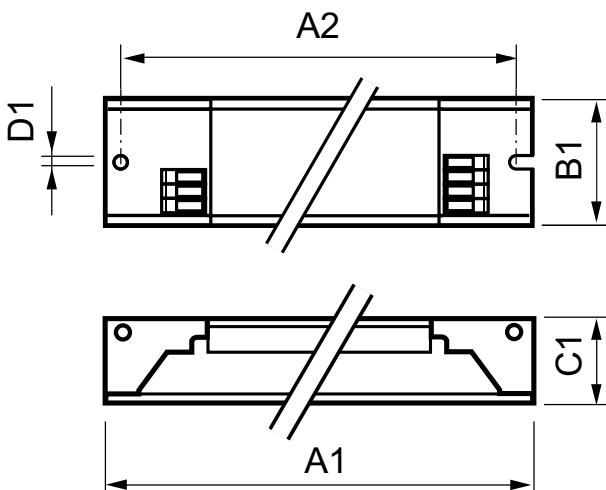
• Approval and Application

Energy Efficiency Index	A2 BAT
EMI 9 kHz ... 30 MHz	EN55015
EMI 30 MHz ... 1000MHz	Not specified
Safety Standard	IEC 61347-2-3
Performance Standard	IEC 60929
Quality Standard	ISO 9000:2000
Environmental Standard	ISO 14001
Harmonic Current Emission Standard	IEC 61000-3-2
Emc Immunity Standard	IEC 61547
Vibration Standard	IEC 68-2-6 Fc
Bumps Standard	IEC 68-2-29 Eb
Humidity Standard	EN 61347-2-3 clause 11
Approval Marks	CE marking ENEC certificate VDE-EMV certificate
Temperature Marking	Yes
Emergency Standard	IEC 60598-2-22
Hum And Noise Level	<lt> 30 dB(A)

• Product Data

Full product code	872790090503800
Order product name	HF-P 2 14-35 TL5 HE III 220-240V
EAN/UPC - Product	8711500999238
Order code	913713031166
Numerator - Quantity Per Pack	1
Numerator - Packs per outer box	12
Material Nr. (12NC)	913713031166
Net Weight (Piece)	0.245 kg

Dimensional drawing

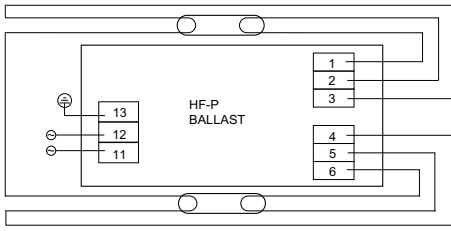


HF-P 2 14-35 TL5 HE III 220-240V

Product	D1	C1	A1	A2	B1
HF-P 2 14-35 TL5 HE III 220-240V	4.2 mm	22.0 mm	360.0 mm	350.0 mm	30.0 mm

HF-Performer III for TL5 lamps

Dimensional drawing



HF-P 2 TL-D/TL5 (keep wires 1;2 & 5;6 short)

Photometric data

Ballast type	Lamp type	Lamp power	T _a = 40°C	T _a = 50°C	T _a = 60°C	T _a = 70°C	
HF-P 2 14-35 TL5 HE III 220-240V 50/60Hz	TL5 HE 14W	14W	T _c	-55°C	-45°C	-33°C	X
	TL5 HE 21W	21W					
	TL5 HE 28W	28W					
	TL5 HE 35W	35W	Lifetime	100,000 Hrs	100,000 Hrs	80,000 Hrs	X
	TL5 HE ECO 13W	13W					
	TL5 HE ECO 25W	25W					
TL5 HE ECO 32W	32W						



© 2015 Philips Lighting Holding B.V.
All rights reserved.

Specifications are subject to change without notice. Trademarks are the property of Koninklijke Philips N.V. (Royal Philips) or their respective owners.

www.philips.com/lighting

2015, December 23
data subject to change