

# MSR Gold™ FastFit

## MSR Gold™ 2500/2 FastFit 1CT



All lamps burn out eventually, but when this happens with single ended MSR Gold™ FastFit, it is replaced in seconds – thanks to the specially designed lamp base and lamp holder. This lamp provides a high beam intensity of pure, white light for a truly illuminating performance, while the gold-plated caps provide superior heat protection and prevent premature failure. P3 technology allows use in any position and at higher temperatures, further extending lamp life and consistency of high-quality light output. Also, because the FastFit design is applied to Philips Halogen lamps, switching between lamp technologies can be done quickly and easily.

### Product data

#### • General Characteristics

System Description	FastFit
Cap-Base	PGJX50
Cap-Base Information	PGJX50
Execution	-
Operating Position	any
Main Application	Entertainment
Life to 50% failures	750 hr
EM	

#### • Light Technical Characteristics

Color Code	2
Color Rendering Index	85 Ra8
Color Temperature	7200 K
Color Temperature Technical	7200 K
Chromaticity Coordinate X	301 -
Chromaticity Coordinate Y	325 -
Luminous Flux Lamp EM	187500 (min), 193000 (nom) Lm
Luminous Efficacy Lamp EM	77 Lm/W

#### • Electrical Characteristics

Lamp Wattage	2500 W
Lamp Wattage Technical	2500 W
Lamp Current	19.53 A
Ignition Supply Voltage	198 (min) V

Dimmable Yes

#### • Luminaire Design Requirements

Pinch Temperature	500 (max) C
Bulb Temperature	950 (max) C

#### • Product Dimensions

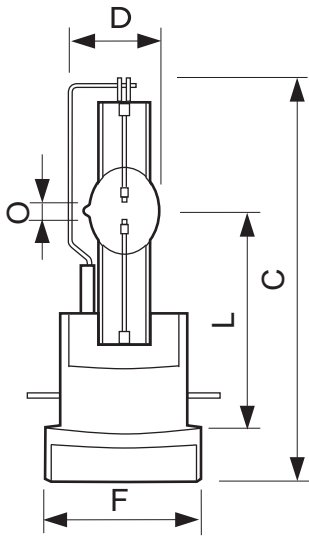
Overall Length C	153 (max) mm
Diameter D	35.5 (max) mm
Width F	41 mm
Light Center Length L	73.9 (min), 74.9 (nom), 75.9 (max) mm
Arc Length O	9.5 mm

#### • Product Data

Order code	928106405115
Full product code	928106405115
Full product name	MSR Gold™ 2500/2 FastFit 1CT
Order product name	MSR Gold 2500/2 FastFit 1CT/4
Pieces per pack	1
Packing configuration	4
Packs per outerbox	4
Bar code on pack - EAN1	8718291221319
Bar code on outerbox - EAN3	8718291221326
Logistic code(s) - 12NC	928106405115
Net weight per piece	150.000 gr

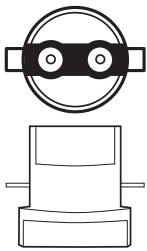
# PHILIPS

Dimensional drawing



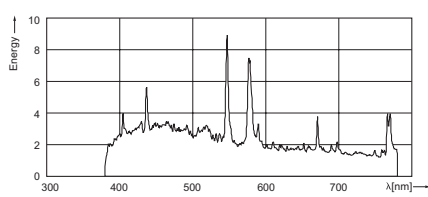
MSR Gold™ 2500/2 FastFit 1CT

Product	A (Min)	A (Norm)	A (Max)	C (Max)	D (Max)	D1 (Norm)	F (Min)	F (Norm)	F (Max)	L (Min)	L (Norm)	L (Max)	O (Norm)
MSR GOLD 2500/2 FastFit	-	-	-	153	35.5	-	-	41	-	73.9	74.9	75.9	9.5

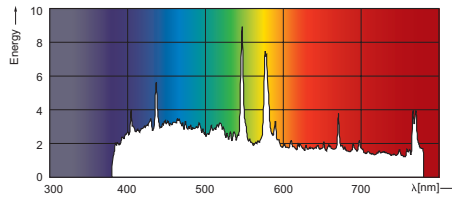


PGJX50

Photometric data



MSR Gold™ 2500/2 FastFit



MSR Gold™ 2500/2 FastFit



© 2013 Koninklijke Philips N.V. (Royal Philips)  
All rights reserved.

Specifications are subject to change without notice. Trademarks are the property of Koninklijke Philips N.V. (Royal Philips) or their respective owners.

[www.philips.com/lighting](http://www.philips.com/lighting)

2013, August 16  
data subject to change