



# TUV T5

## TUV 36T5 SP UNP

TUV T5 lamps are single- or double-ended UVC (germicidal) lamps used in professional water and air disinfection units. The small 16 mm diameter of the lamp allows for a small system design and design flexibility. TUV T5 lamps offer constant UV output over their complete lifetime, for maximum security of disinfection and high system efficacy.

### Product data

#### • General Characteristics

System Description	High Efficiency
Cap-Base	Single Pin
Cap-Base Information	Single Pin
Bulb	T5 [T5]
Main Application	Disinfection
Useful Life	9000 hr

#### • Light Technical Characteristics

Color Code	-
Color Designation (text)	-

#### • Electrical Characteristics

Watts	40 W
Lamp Wattage Technical	40 W
Lamp Voltage	94 V
Lamp Current	0.425 A

#### • UV-related Characteristics

UV-C Radiation	15 W
----------------	------

#### • Product Dimensions

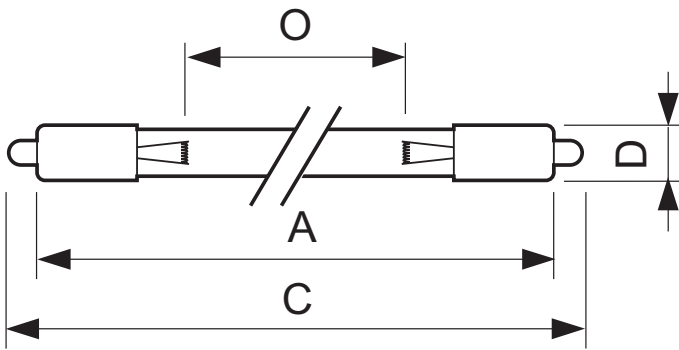
Reference Length A	839.4 (min), 842.4 (nom), 845.4 (max) mm
Overall Length C	856.9 (min), 860.4 (nom), 863.9 (max) mm
Diameter D	19 (max) mm
Arc Length O	762 mm

#### • Product Data

Product number	292672
Full product name	TUV 36T5 SP UNP
Short product name	TUV 36T5 SP UNP/32
Pieces per Sku	1
eop_pck_cfg	32
Skus/Case	32
Bar code on pack	8711500640369
Bar code on case	8711500640376
Logistics code(s)	927970004099
eop_net_weight_pp	87.000 gr

### Dimensional drawing

Dimensional drawing



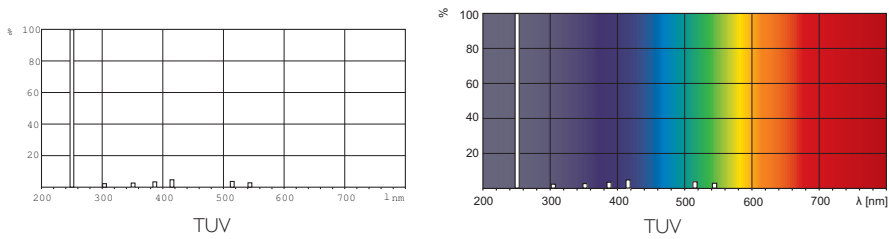
TUV 36T5 SP UNP

Product	A (Min)	A (Norm)	A (Max)	B (Min)	B (Norm)	B (Max)	C (Min)	C (Norm)	C (Max)	D (Max)	O (Norm)
TUV 36T5 HE SP	-	-	845.4	-	-	-	-	-	863.9	18.6	762



Single Pin

Photometric data



© 2013 Koninklijke Philips Electronics N.V.  
All rights reserved.

Specifications are subject to change without notice. Trademarks are the property of Koninklijke Philips Electronics N.V. or their respective owners.

[www.philips.com/lighting](http://www.philips.com/lighting)

2013, May 13  
data subject to change