

# MSR Gold™ MiniFastFit (Touring/Stage)

## MSR Gold™ 700/1 MiniFastFit 1CT



Thanks to the specially designed lamp base, the MSR Gold™ MiniFastFit takes just seconds to replace, to help ensure non-stop clubbing entertainment. In addition, the innovative gold plated pins ensure excellent current transfer to prolong lamp and lamp holder lifetimes and thereby reduce lamp replacement costs. Easy handling and small compact fixture designs are allowed by the lamps compact size, while the very short arc provides a high perceived brightness and high beam intensity. Moreover, the latest addition to the range: Philips MSR Gold™ 700/1 FastFit offers a pure, white light (5600K). Especially designed for theater applications.

## Product data

### • General Characteristics

System Description	MiniFastFit
Cap-Base	PGJX28
Cap-Base Information	PGJX28
Execution	-
Operating Position	any
Main Application	Entertainment
Life to 50% failures	750 hr
EM	

### • Light Technical Characteristics

Color Code	1
Color Rendering Index	73 Ra8
Color Temperature	5700 K
Color Temperature Technical	5700 K
Chromaticity Coordinate X	328 -
Chromaticity Coordinate Y	335 -
Luminous Flux Lamp EM	53400 Lm
Luminous Efficacy Lamp EM	76.3 Lm/W

### • Electrical Characteristics

Watts	700 W
Lamp Wattage Technical	700 W

Lamp Current	10.2 A
Ignition Supply Voltage	198 (min) V
Dimmable	Yes

### • Luminaire Design Requirements

Pinch Temperature	500 (max) C
Bulb Temperature	950 (max) C

### • Product Dimensions

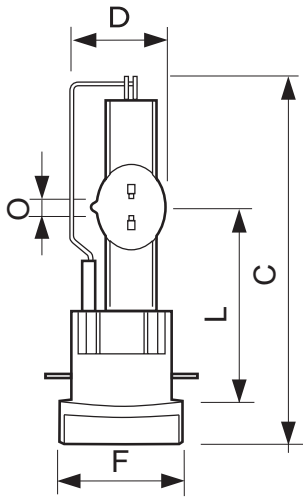
Overall Length C	112 (max) mm
Diameter D	23.2 (max) mm
Width F	35.3 (min), 36 (nom), 36.5 (max) mm
Light Center Length L	55 (min), 56 (nom), 57 (max) mm
Arc Length O	3.8 mm

### • Product Data

Product number	291062
Full product name	MSR Gold™ 700/1 MiniFastFit 1CT
Short product name	MSR Gold 700/1 MiniFastFit 1CT/16
Pieces per Sku	1
eop_pck_cfg	16
Skus/Case	16
Bar code on pack	8718291661450
Bar code on case	8718291661467
Logistics code(s)	928197405114
eop_net_weight_pp	0.052 kg

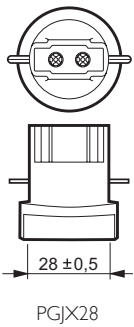
# MSR Gold™ MiniFastFit (Touring/Stage)

## Dimensional drawing



### MSR Gold™ 700/1 MiniFastFit UNP

Product	A (Min)	A (Norm)	A (Max)	C (Max)	D (Max)	D1 (Norm)	F (Min)	F (Norm)	F (Max)	L (Min)	L (Norm)	L (Max)	O (Norm)
MSR GOLD 700/1 MiniFastFit	-	-	-	112	23.2	-	35.3	36	36.5	55	56	57	3.8



© 2013 Koninklijke Philips Electronics N.V.  
All rights reserved.

Specifications are subject to change without notice. Trademarks are the property of Koninklijke Philips Electronics N.V. or their respective owners.

[www.philips.com/lighting](http://www.philips.com/lighting)

2013, April 26  
data subject to change